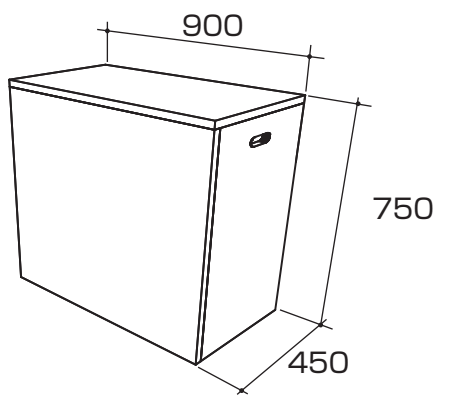
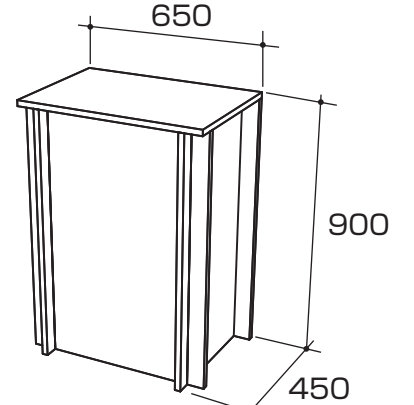


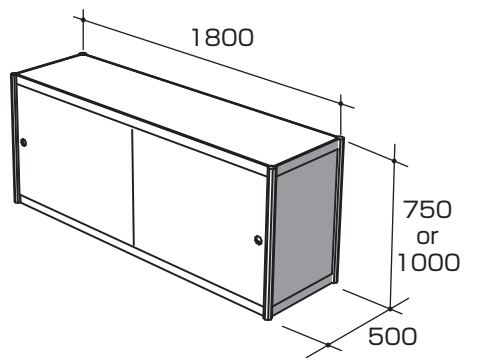
No.1 Reception Counter ¥7,700



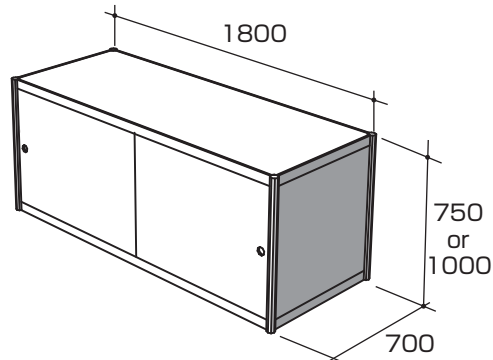
No.2 Reception Counter ¥11,000



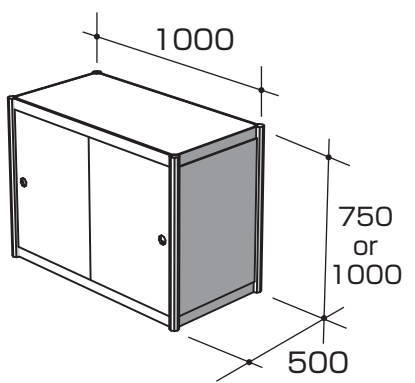
No.3 H750 Exhibition Stand ¥22,000
No.4 H1000 Exhibition Stand ¥22,000



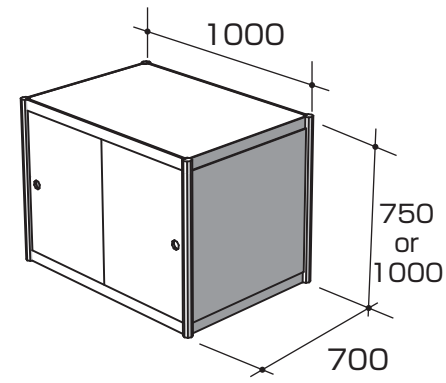
No.5 H750 Exhibition Stand ¥26,400
No.6 H1000 Exhibition Stand ¥26,400




No.7 H750 Exhibition Stand ¥10,450
No.8 H1000 Exhibition Stand ¥10,450



No.9 H750 Exhibition Stand ¥12,650
No.10 H1000 Exhibition Stand ¥12,650

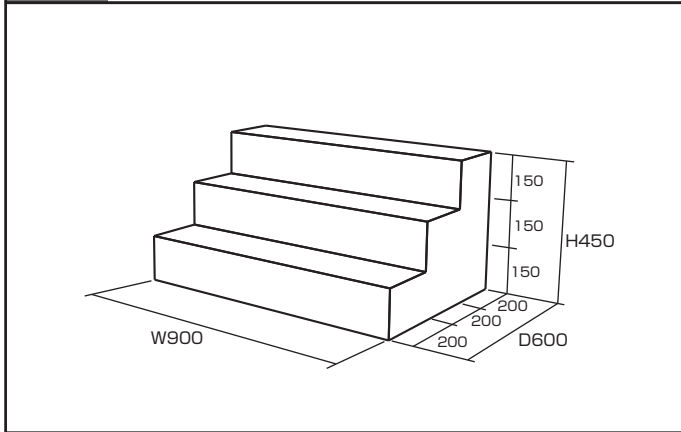


No.11 Chain&Hang Metal fittings ¥330

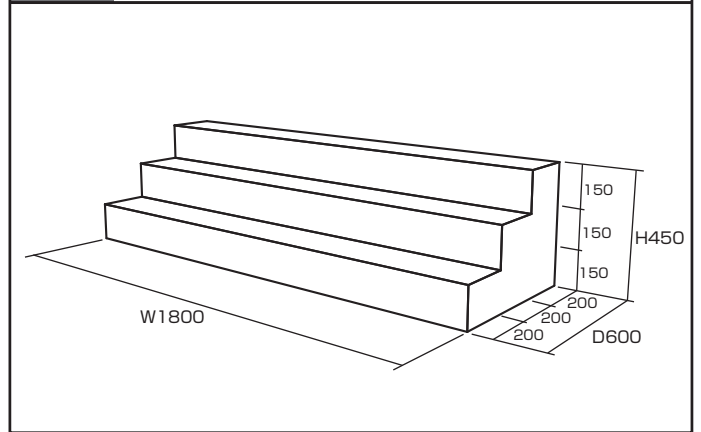


Price includes tax

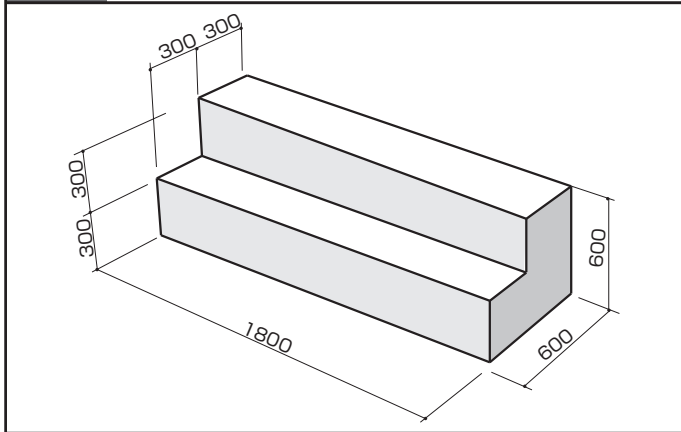
No.12 Tiered Stand ¥11,000



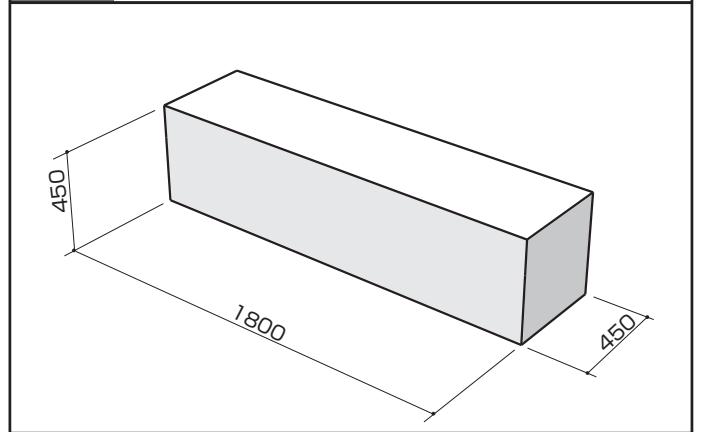
No.13 Tiered Stand ¥16,500



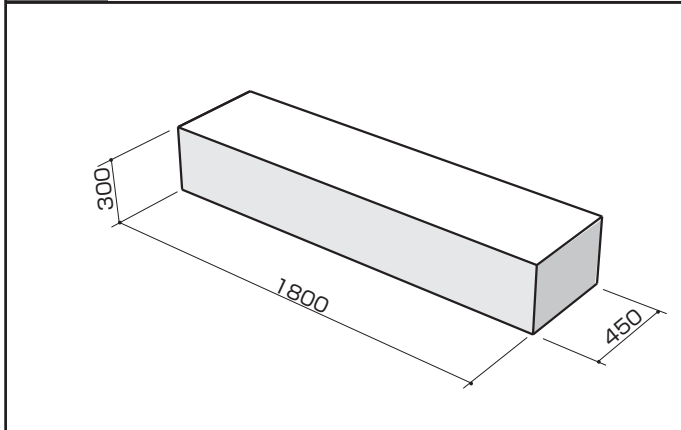
No.14 Tiered Stand ¥11,000



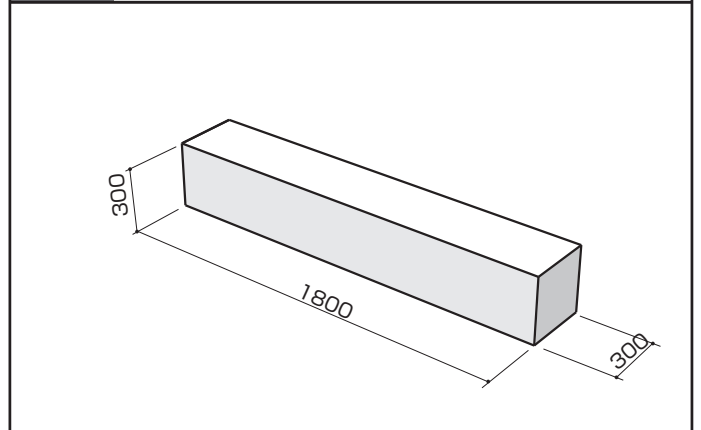
No.15 Tiered Stand ¥8,800



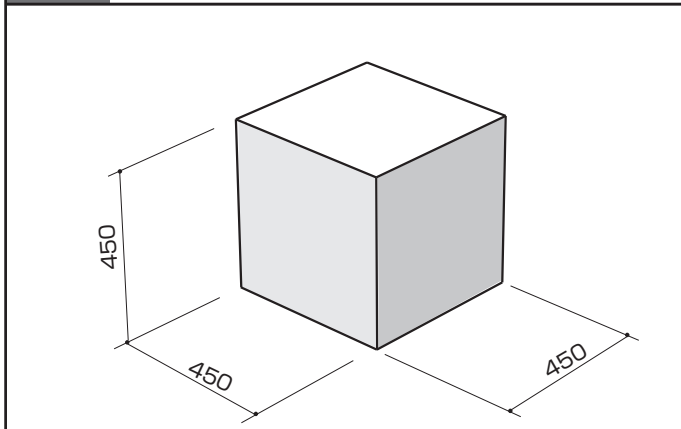
No.16 Tiered Stand ¥7,700



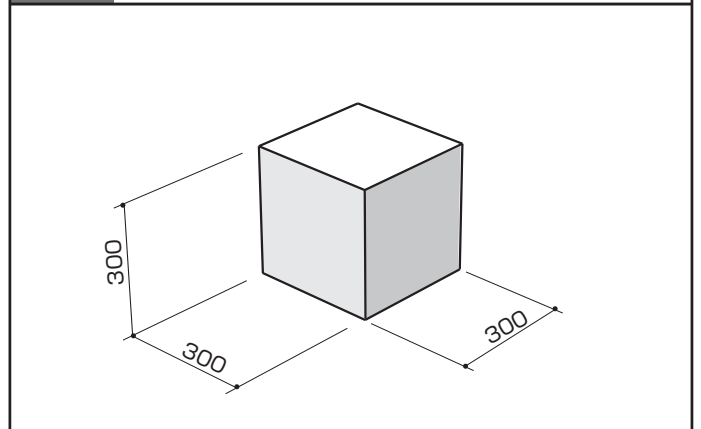
No.17 Tiered Stand ¥6,600



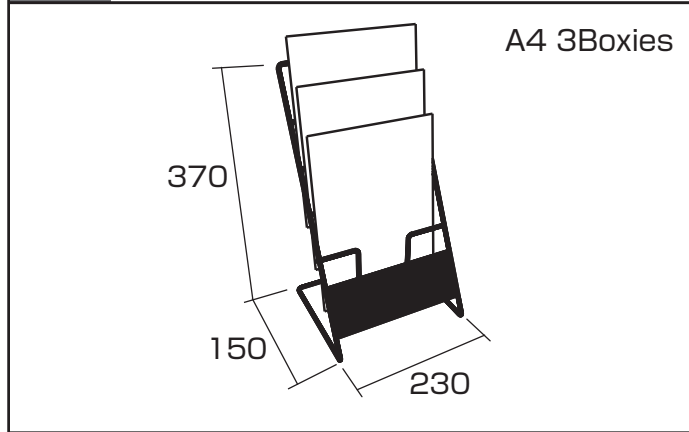
No.18 Dice ¥4,400



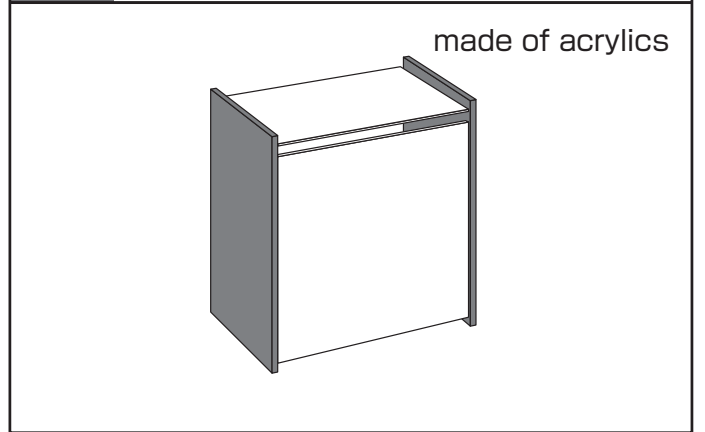
No.19 Dice ¥3,300



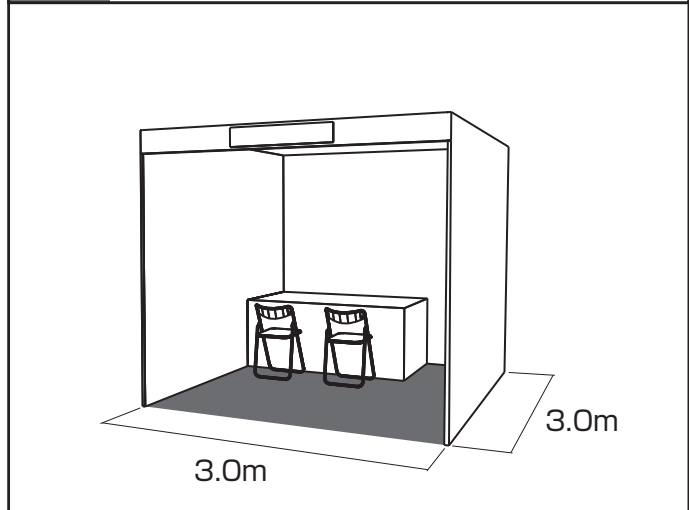
No.20 Catalogue Stand(desktop) ¥3,850



No.21 Received Business Card Holder ¥1,650



No.22 Punch Carpet(Color Grey) ¥19,800



Application form for rental equipment

INTERNATIONAL TECHNICAL EXHIBITION 2021

No.	Name	Size/Specifications	Number of Order	a unit price(YEN)	Amount
1	Reception Counter	W900 × D450 × H750mm		¥7,700	
2	Reception Counter	W650 × D450 × H900mm		¥11,000	
3	H750 Exhibition Stand	W1800 × D500 × H750mm		¥22,000	
4	H1000 Exhibition Stand	W1800 × D500 × H1000mm		¥22,000	
5	H750 Exhibition Stand	W1800 × D700 × H750mm		¥26,400	
6	H1000 Exhibition Stand	W1800 × D700 × H1000mm		¥26,400	
7	H750 Exhibition Stand	W1000 × D500 × H750mm		¥10,450	
8	H1000 Exhibition Stand	W1000 × D500 × H1000mm		¥10,450	
9	H750 Exhibition Stand	W1000 × D700 × H750mm		¥12,650	
10	H1000 Exhibition Stand	W1000 × D700 × H1000mm		¥12,650	
11	Chain&Hang Metal fittings	1 set		¥330	
12	Tiered stand	W900 × D600 × H150mm*3steps		¥11,000	
13	Tiered stand	W1800 × D600 × H150mm*3steps		¥16,500	
14	Tiered stand	W1800 × D600 × H300 + 300mm		¥11,000	
15	Tiered stand	W1800 × D450 × H450mm		¥8,800	
16	Tiered stand	W1800 × D450 × H300mm		¥7,700	
17	Tiered stand	W1800 × D300 × H300mm		¥6,600	
18	Dice	W450 × D450 × H450mm		¥4,400	
19	Dice	W300 × D300 × H300mm		¥3,300	
20	Catalogue Stand(desktop)	A4 3Boxies		¥3,850	
21	Received Business Card Holder	Made of Acrylic		¥1,650	
22	Punch Carpet(Color: Grey) *Ask us if you would like other colors of Punch Carpet.	3m × 3m		¥19,800	
23	H740 Display Table	W1800 × D500 × H750mm with Tablecloth (Top: White, Side: Blue color)		¥4,400	
24	Pipe Chair			¥715	

*NO. 22, 23 and 24 are for Demo booth only.

It separately Charged for a special installation.

In case when cancellation after 26 November, charged the full amount.

We will send you the invoice.

Please pay the invoice promptly after the exhibition.

Booth No.

COMPANY NAME:

ADDRESS:

PERSON IN CHARGE:

TEL:

FAX:

E-MAIL:

Application Deadline: 5-Nov-21

Where to Apply: ADVANCE Co.,Ltd

Nihonbashiamacho Park Bldg 3F,2-35-4 Nihonbashiamacho,Chuo,Tokyo,JAPAN 103-007

E-mail : gazou@adv-ex.jp