

# IMAGE SENSING SHOW 2024

## Application form for rental equipment

No.	Name	Size/Specifications	Number of Order	a unit price	Amount
1	Reception Counter	900×450×H750		7,700	
2	Reception Counter	650×450×H900		11,000	
3	H750 Exhibition Stand	1800×500×H750		22,000	
4	H1000 Exhibition Stand	1800×500×H1000		22,000	
5	H750 Exhibition Stand	1800×700×H750		26,400	
6	H1000 Exhibition Stand	1800×700×H1000		26,400	
7	H750 Exhibition Stand	1000×500×H750		10,450	
8	H1000 Exhibition Stand	1000×500×H1000		10,450	
9	H750 Exhibition Stand	1000×700×H750		12,650	
10	H1000 Exhibition Stand	1000×700×H1000		12,650	
11	Chain&Hang Metal fittings			330	
12	Tiered Stand	900×600×H150*3steps		13,200	
13	Tiered Stand	1800×600×H150*3steps		18,700	
14	Tiered Stand	1800×600×H300+300		13,200	
15	Tiered Stand	1800×450×H450		10,450	
16	Tiered Stand	1800×450×H300		9,900	
17	Tiered Stand	1800×300×H300		8,800	
18	Dice	450×450×H450		4,950	
19	Dice	300×300×H300		3,850	
20	Catalogue Stand(desktop)	A4 3Boxes		3,850	
21	Received Business Card Holder	Made of Acrylic		1,650	
22*	Punch Carpet	3m×3m		22,000	
	*Ask us if you would like other colors of Punch Carpet.				
23*	H740 Display Table	W1800×D900×H740 with Tablecloth(Top:White,Side:Blue Color)		4,400	
24*	Pipe Chair			715	

\*NO. 22, 23 and 24 are for Demo booth only.

It is separately Charged for a special installation.

In case when cancellation after 5 June, charged the full amount.

## Application Deadline: 10\_May 2024(Fri)

Booth No. \_\_\_\_\_

Company Name \_\_\_\_\_

Address: \_\_\_\_\_

Person in Charge : \_\_\_\_\_

TEL : \_\_\_\_\_ e-mail : \_\_\_\_\_

Where to Apply      Advance Co.,Ltd  
TIE Hanacho Bldg 6F, 2-61-9 Nihonbashihamacho.Chuo,Tokyo,Japan 103-0007  
TEL:03-3669-2795    FAX:03-3669-2668    e-mail : gazou@adv-ex.jp

Person in Charge : Sumiyama & Kato

Price includes tax

No.1	Reception Counter	¥7,700
------	-------------------	--------

No.2	Reception Counter	¥11,000
------	-------------------	---------

No.3	H750 Exhibition Stand	¥22,000
No.4	H1000 Exhibition Stand	¥22,000

No.5	H750 Exhibition Stand	¥26,400
No.6	H1000 Exhibition Stand	¥26,400

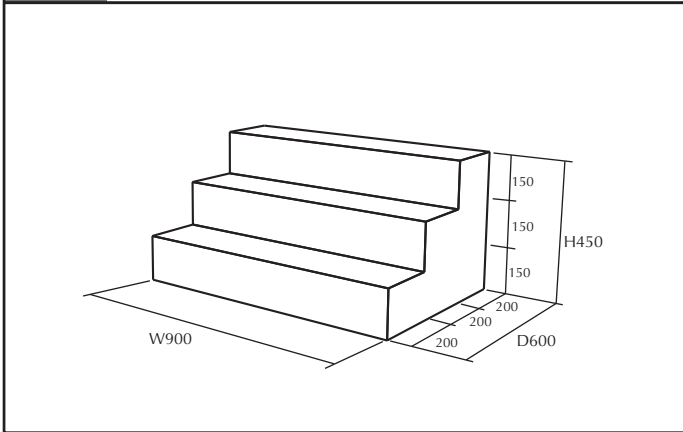
No.7	H750 Exhibition Stand	¥10,450
No.8	H1000 Exhibition Stand	¥10,450

No.9	H750 Exhibition Stand	¥12,650
No.10	H1000 Exhibition Stand	¥12,650

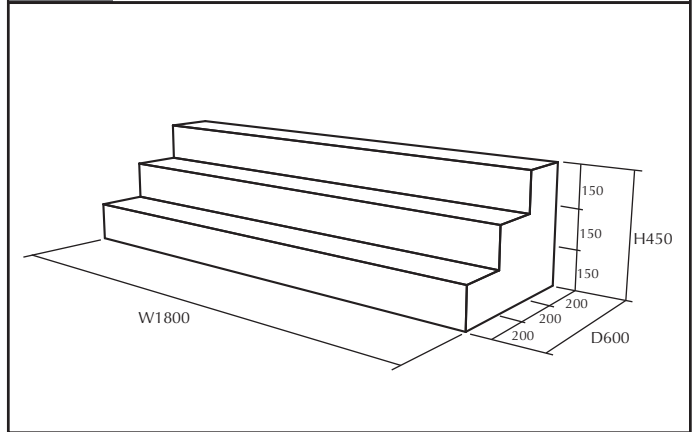
No.11	Chain&Hang Metal fittings	¥330
-------	---------------------------	------

Price includes tax

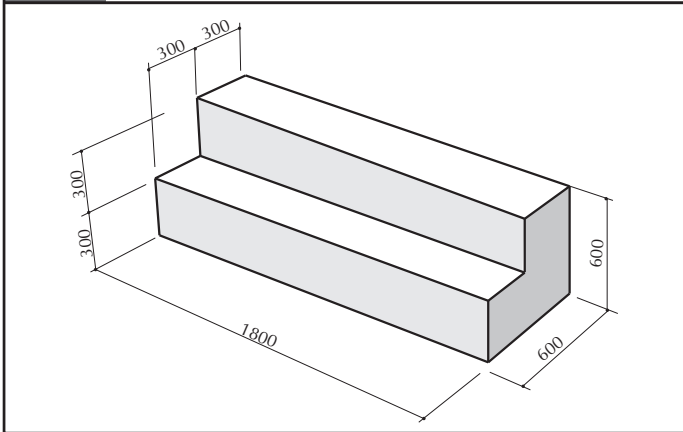
No.12 Tiered Stand ¥13,200



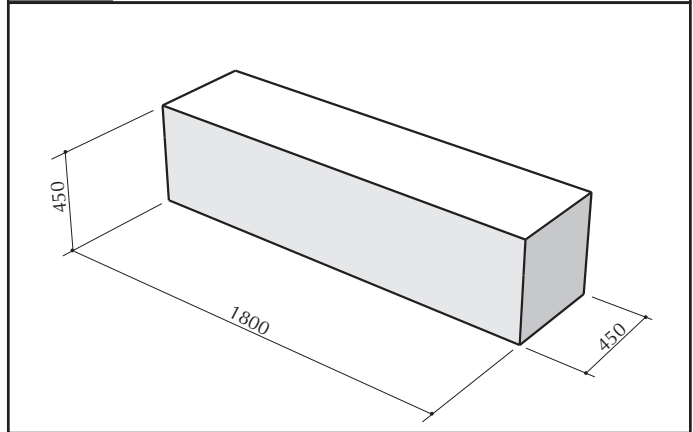
No.13 Tiered Stand ¥18,700



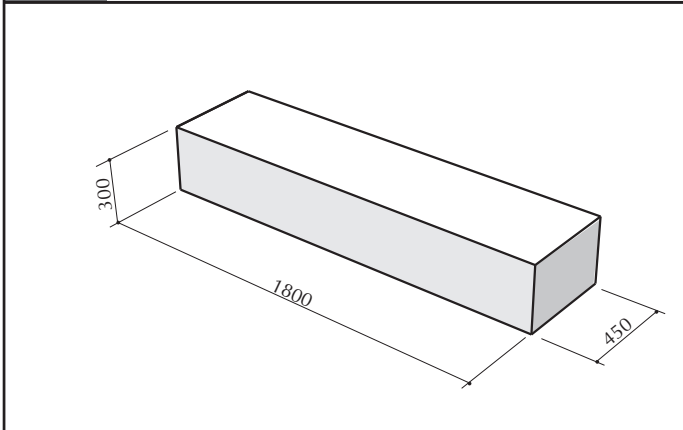
No.14 Tiered Stand ¥13,200



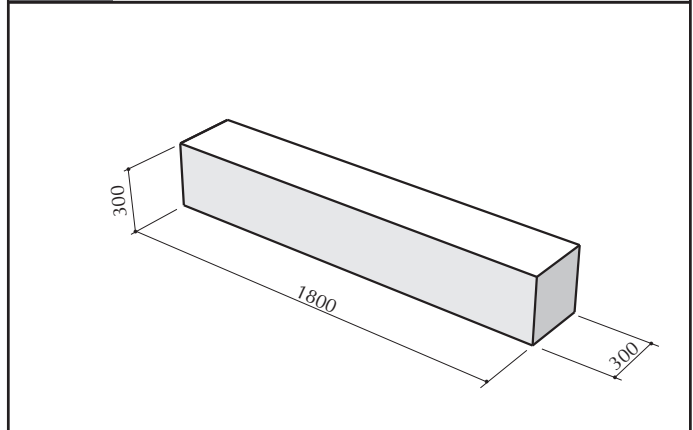
No.15 Tiered Stand ¥10,450



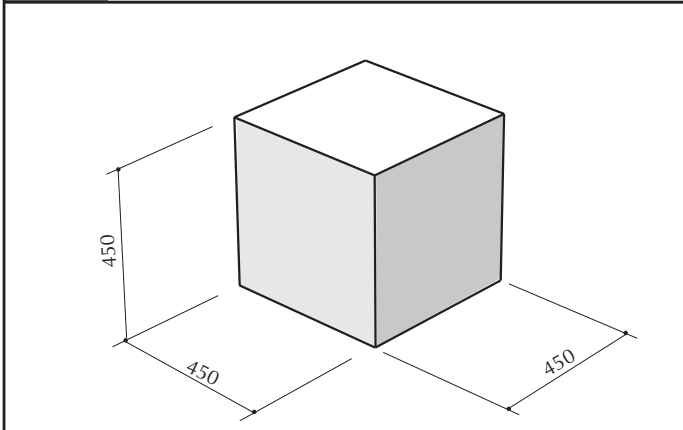
No.16 Tiered Stand ¥9,900



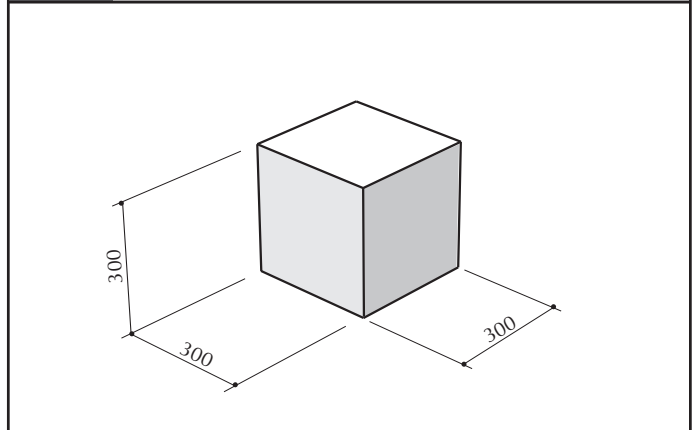
No.17 Tiered Stand ¥8,800



No.18 Dice ¥4,950



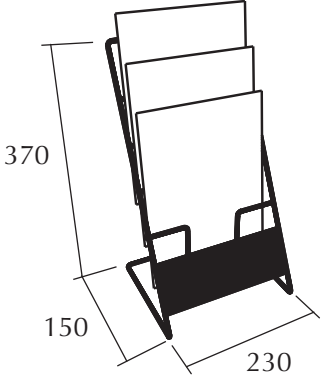
No.19 Dice ¥3,850



Price includes tax

No.20	Catalogue Stand(desktop)	¥3,850
-------	--------------------------	--------

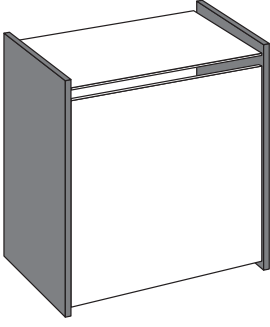
A4 3Boxes



370  
150  
230

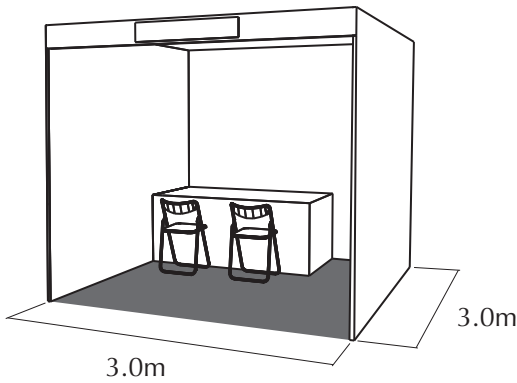
No.21	Received Business Card Holder	¥1,650
-------	-------------------------------	--------

made of acrylic



No.22	Punch Carpet	¥22,000
-------	--------------	---------

You can choose one color from the following.  
Red, Blue, Yellow, Green, Brown, Purple, Orange, Pink and Gray



3.0m  
3.0m